

NTSC **WV-CW484S** (24 V AC or 12 V DC) <Smoke Dome Type>
PAL **WV-CW480S** (220 ~ 240 V AC) <Clear Dome Type>
WV-CW484F (24 V AC or 12 V DC) <Smoke Dome Type>
WV-CW484F (24 V AC or 12 V DC) <Clear Dome Type>



Super Dynamic III Vandal Resistant Fixed Dome Camera with Day/Night and ABF (Auto Back Focus) for 24 hours a day surveillance

Key Features

- **Super Dynamic III** technology delivers 128x (NTSC) / 160x (PAL) wider dynamic range compared to conventional cameras.
- High resolution: 540 TV lines typical / 520 TV lines minimum (Color HIGH mode), 480 TV lines minimum (Color NORMAL mode), 570 TV lines minimum (B/W mode)
- High sensitivity with Day/Night function: 0.6 lux (Color), 0.08 lux (B/W) with clear dome cover at F1.4 (Wide). IR cut filter switches on/off to enhance the sensitivity in B/W mode.
- ABF (Auto Back Focus) ensures easy installation and stable focus in both color and B/W modes.
- Adaptive Digital Noise Reduction: Integration of 2D-DNR and 3D-DNR ensures noise reduction in various conditions.
- Electronic sensitivity enhancement: Auto (Up to 10x) / Manual (Up to 32x)
- Electronic shutter from 1/100 (NTSC), 1/120 (PAL) to 1/10,000 sec.
- VMD (Video Motion Detector) with Mask 8 x 6 areas
- Scene Change Detection alarms when lens is covered, spray painted, removed or defocused.
- 3.8 ~ 8.0 mm, 2x Varifocal Auto Iris lens with 2x digital zoom
- Auto Image Stabilizer for applications where vibration or wind is a concern.
- Internal / Line-lock / Multiplexed Vertical Drive (VD2) synchronization
- Over the coaxial cable data communication
- Monitor output for easier installation
- 16 alphanumeric camera title display
- Multi language: English, French, Italian, Spanish, German, Russian, Chinese, Japanese
- IP66 rated water and dust resistant. Compatible with IEC60529 measurement standard.
- Dehumidification device for use in various weather conditions
- Vandal resistant mechanism for high reliability

- 3-way hinge (horizontal, vertical and swivel rotation) for easy installation
- Various mounting options: Flush mount (F type), Surface mount (S type), Embedded mount (with optional WV-Q166)
- Optional heater maintains operating temperature $-30^{\circ}\text{C} \sim +50^{\circ}\text{C}$ ($-22^{\circ}\text{F} \sim 122^{\circ}\text{F}$).

Standard Accessories

- | | |
|--|---|
| • Operating Instructions 1 pc. | • Camera attachment 1 pc. |
| • Mounting Bracket (For WV-CW480S/CW484S) 1 pc. | • Bit for tamperproof screw 1 pc. |
| • Screws for mounting bracket (M4 x 8) (For WV-CW480S/CW484S) 4 pcs. | • Butyl tape 1 pc. |

Optional Accessories



Specifications

TV System	NTSC	PAL	
Type	WV-CW484S: Surface mount type WV-CW484F: Flush mount type	WV-CW480S: Surface mount type	
Camera	Image Sensor	1/3 inch interline transfer CCD	
	Effective Pixels	768 (H) x 494 (V)	752 (H) x 582 (V)
	Scanning Mode	2:1 interlace scan	
	Scanning Area	4.8 (H) x 3.6 (V) mm	
	Scanning Frequency	Horizontal: 15.734 kHz Vertical: 59.94 Hz	Horizontal: 15.625 kHz Vertical: 50 Hz
	Scanning Line	525 lines	625 lines
	Horizontal Resolution	540 TV lines typical at color high mode, 480 TV lines at color normal mode, 570 TV lines at B/W mode	
	Minimum Illumination	Color (30IRE): 1.5 lux (SENS UP: OFF), 0.15 lux (SENS UP: 10x) at F1.4 B/W (10IRE): 0.16 lux (SENS UP: OFF), 0.016 lux (SENS UP: 10x) at F1.4 Will be same as PAL spec with WV-CW4C optional clear dome cover	Color (30IRE): 0.6 lux (SENS UP: OFF), 0.06 lux (SENS UP: 10x) at F1.4 B/W (10IRE): 0.08 lux (SENS UP: OFF), 0.008 lux (SENS UP: 10x) at F1.4
	Signal-to-Noise Ratio	50 dB (AGC Off, Weight On)	
	White Balance	ATW1, ATW2, or AWC	
	Light Control	ALC / ELC (only when monitor output is used)	
	AGC	ON (HIGH / MID / LOW), or OFF	
	Super Dynamic III	ON or OFF (with BLC masking 8 x 6 areas)	
Dynamic Range	52 dB typical (Super Dynamic III ON)	54 dB typical (Super Dynamic III ON)	
Electronic Shutter	OFF (1/60), 1/100, 1/250, 1/500, 1/1,000, 1/2,000, 1/4,000, 1/10,000 s	OFF (1/50), 1/120, 1/250, 1/500, 1/1,000, 1/2,000, 1/4,000, 1/10,000 s	
Electronic Sensitivity UP	OFF / AUTO (2x, 4x, 6x, 10x) / FIX (2x, 4x, 6x, 10x, 16x, 32x)		
Digital Noise Reduction	High / Low		
Resolution Mode	Normal / High		
Black and White Mode	Mode: AUTO1 / AUTO2 / ON / OFF, Level: High / Low		
Digital Zoom	2x		
Video Motion Detection	OFF / Mode1 (VMD) / Mode2 (Scene change), Mask 8 x 6 areas		
Scene Change Detection	Yes, Included in VMD Mode2		
Privacy Zone	ON (Gray / Mosaic) or OFF		
Auto Image Stabilizer	ON or OFF		
Camera Title	Up to 16 characters		
Lens Mount	CS-mount		
Back Focus Adjustment	ABF, MANUAL, AUTO / PRESET / FIX		
Synchronization	Internal (INT), Multiplexed Vertical Drive (VD2), Line-Lock (LL)		
Lens	Focal Length	3.8 ~ 8.0 mm, 2x varifocal	
	Angular Field of View	H: 35.6° (Tele) ~ 73.6° (Wide) V: 26.6° (Tele) ~ 53.4° (Wide)	
	Maximum Aperture Ratio	1:1.4 (Wide) 1:1.8 (Tele)	
Focusing Range	1.2 m (3.9 ft.) ~ ∞		
Pan and Tilt	Panning Range	±160°	
	Tilting Range	±75°	
Input / Output	Video Output	1.0 V [p-p] / NTSC composite 75 Ω / BNC Connector Multiplexed VD2 and control data capable	1.0 V [p-p] / PAL composite 75 Ω / BNC Connector Multiplexed VD2 and control data capable
	Monitor Output	1.0 V [p-p] / 75 Ω / NTSC composite signal / ø3.5 mm mini jack	1.0 V [p-p] / 75 Ω / PAL composite signal / ø3.5 mm mini jack
General	Setup Method	OSD setup menu	
	Language	English, Russian (For setup menu and camera title), German, French, Italian, Spanish (For setup menu), Chinese, Japanese (Only for camera title. Setup menu will be English.)	
	Safety/EMC Standard	UL (6500), FCC (Part15 ClassA), C-UL (E60065), DOC (ICES003 ClassA)	CE (EN60065, EN55022 ClassB, EN55024), GOST (GOST R 51558)
	Power Source and Power Consumption	24 V AC 60 Hz, 4.1 W, 11 W*, 12 V DC 340 mA**	WV-CW480S: 220 ~ 240 V AC 50 Hz, 7 W, 13 W* WV-CW484F: 24 V AC 50 Hz, 4.1 W, 11 W*, 12 V DC 340 mA**
	Ambient Operating Temperature	-10 °C ~ +50 °C (14 °F ~ 122 °F), -30 °C ~ +50 °C (-22 °F ~ 122 °F)*	
	Ambient Operating Humidity	90 % or less (without condensation)	
	Water and Dust Resistance	IP66, IEC60529 measurement standard compatible	
	Dimensions	WV-CW484S: ø158.3 mm x 146.2 mm (ø6-1/4" x 5-3/4") WV-CW484F: ø154 mm x 141.2 mm (ø6-1/16" x 5-9/16")	WV-CW480S: ø160 mm x 161.7 mm (ø6-5/16" x 6-3/8")
	Weight (approx.)	WV-CW484S: 1.9 kg (4.18 lbs.) WV-CW484F: 1.4 kg (3.08 lbs.)	WV-CW480S: 2.1 kg (4.62 lbs.)

* With optional Heater Unit WV-CW4H

** Optional Heater Unit WV-CW4H cannot be used under 12 V DC operation

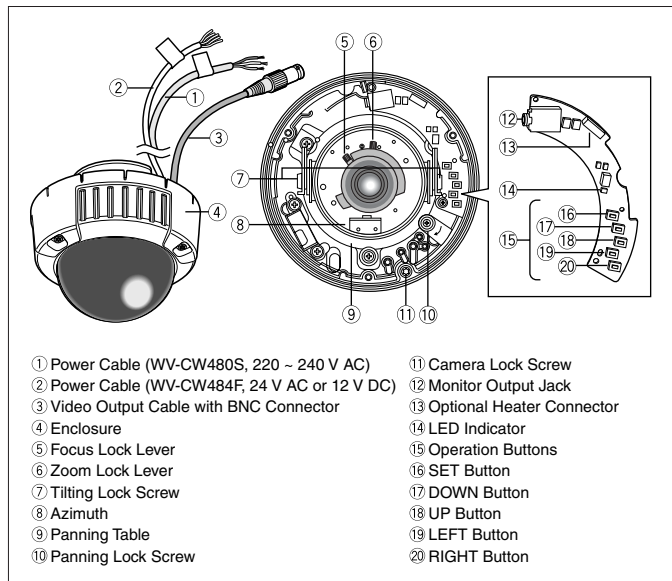
Trademarks and registered trademarks

– "Super Dynamic", "SDII", "SDIII" and "i-Pro" logos are trademarks or registered trademarks of Panasonic Corporation.

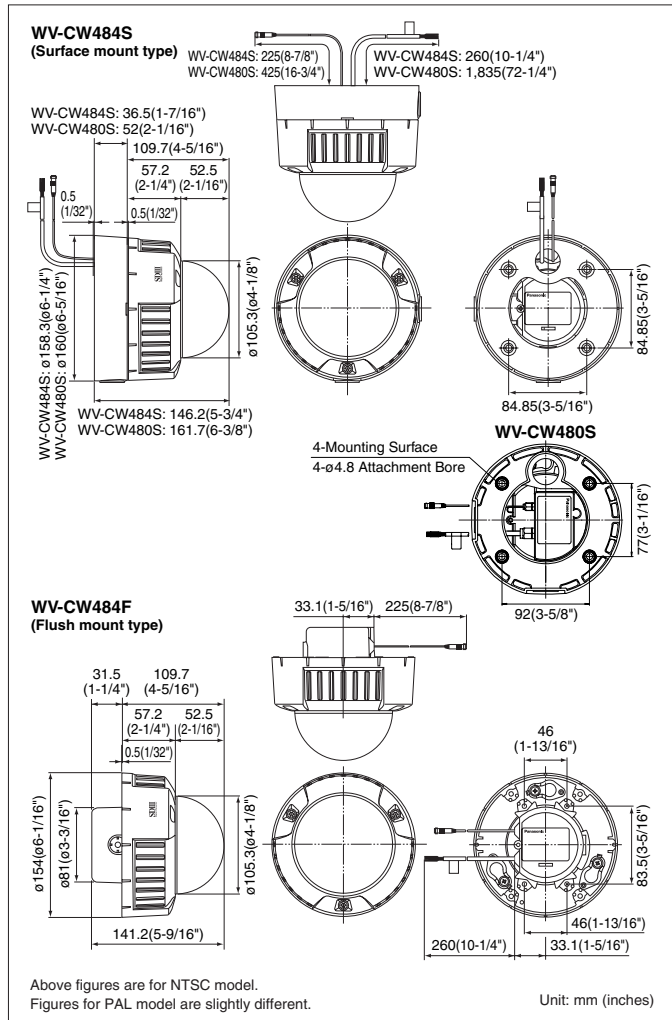
Important

– Safety Precaution: carefully read the operating instructions and installation manual before using this product.

Part Names and Functions



Appearance



Above figures are for NTSC model.

Figures for PAL model are slightly different.

Unit: mm (inches)

- All TV pictures are simulated.
- Weights and dimensions are approximate.
- Specifications are subject to change without notice.
- These products may be subject to export control regulations.
- All product pictures are NTSC models.

DISTRIBUTED BY:

Panasonic[®]

<http://panasonic.net/security/>

Printed in Japan (2A-011BL)