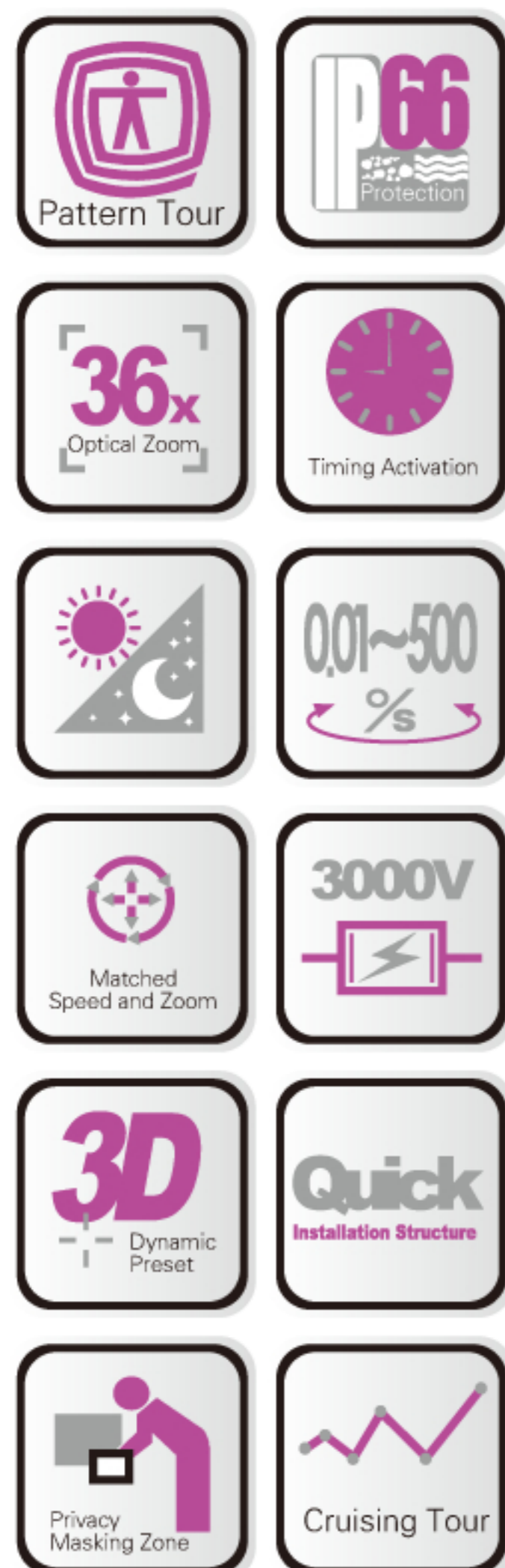


SPEED DOME CAMERAS

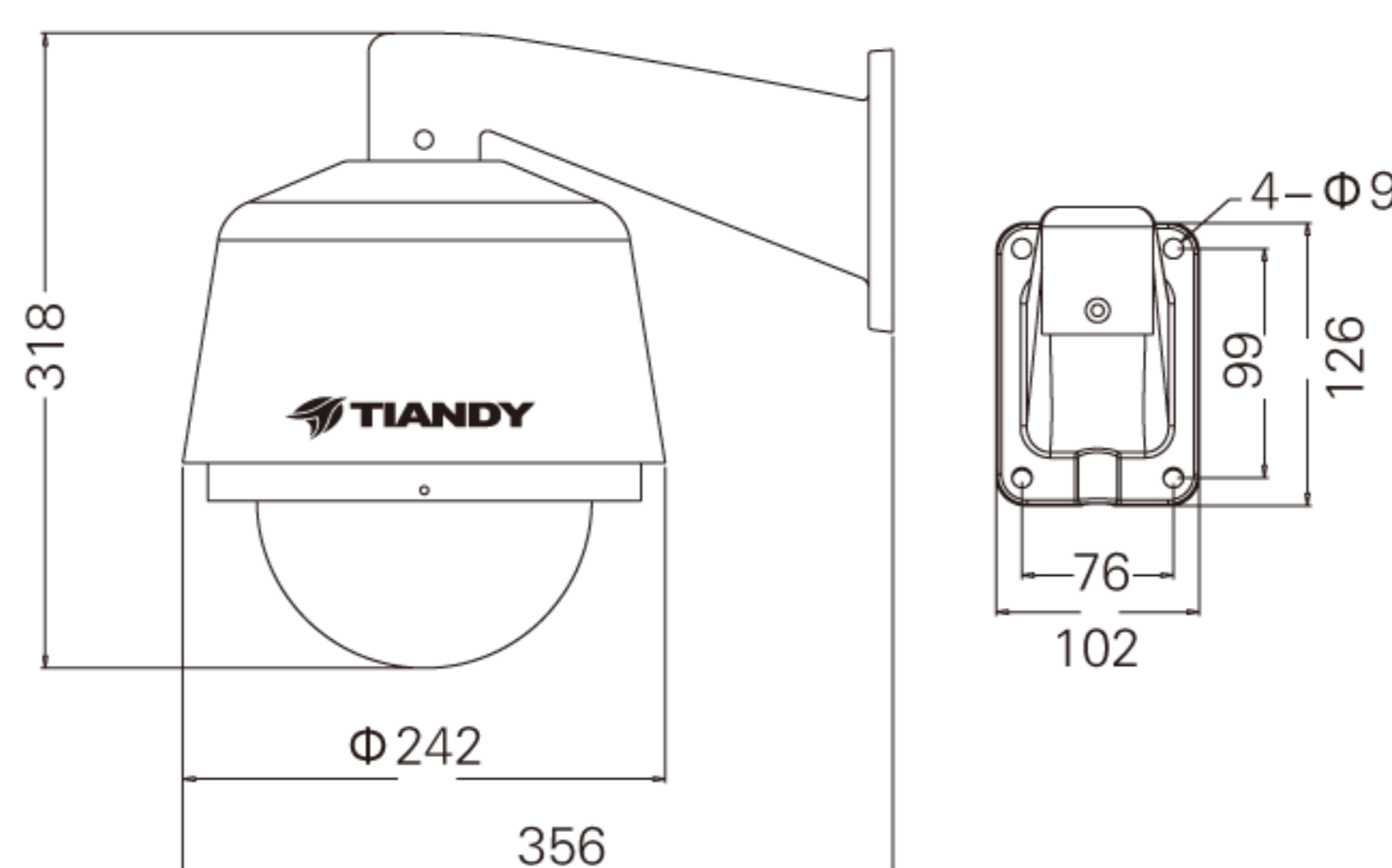
TC-D3600-E Economic High Speed Dome Camera



In-ceiling Mount

FEATURES

- Manual Speed: 0.05-600°/s
- RS485 Online Monitoring, Control Protocol Self-Adaption
- OSD Menu
- Pan: 360° rotate; Title: -8°-90°; Auto Flip
- IP 66 Waterproof



Unit:mm

SPECIFICATIONS

Camera Parameters

Camera Brand	SONY			CNB	LG	SAMSUNG	SPECIAL SERIES	
Model	TC-D3618-EWI	TC-D3628L-EWI	TC-D3636-EWI	TC-D3622L-EWI	TC-D3622H-EWI	TC-D3627H-EWI	TC-D3622-EWI	TC-D3622N-E
Camera	SONY FCB-CX480CP	SONY FCB-CX985EP	SONY FCB-CX1020P	ZCN-21222	LG LM-922DS	SCM-2271P	3910H	3910
Sensor	1/4 inch Sony Exview HAD CCD	1/4 inch Sony Super HAD CCD		1/4 inch Sony Super HAD CCD	1/4 inch Sony Super HAD CCD	1/4 inch, Interline Transfer CCD	1/4 inch Sony Super HAD CCD	1/4 inch Sony Super HAD CCD
Horizontal Resolution	480TVL	550TVL	550TVL	580TVL	540TVL	560TVL	540TVL	460TVL
Effective Pixel	Approx. 440,000 pixels	Approx. 440,000 pixels	Approx. 440,000 pixels	Approx. 440,000 pixels	Approx. 470,000 pixels	Approx. 470,000 pixels	Approx. 470,000 pixels	Approx. 470,000 pixels
Iris				Auto/Manual				
Wide Dynamic Range		On/Off		None	None	None	None	None
Electric Shutter	1/1s to 1/10000s, 22 steps			1/50-1/10000s	1/50-1/90000s			1/50 ~ 1/10,000
Optical Zoom	18x	28x	36x	22x	22x	27x		22x
Digital Zoom	12x	12x	12x	10x	12x	16x		/
Minimum Illumination	0.71 x (f 1.4, 50 IRE)	0.251 x (f 1.35, 50IRE)	1.41 x (f 1.6, 50IRE)	0.5lux-0.001lux	0.001lux-0.00005lux	0.2lux-0.02lux		0.11lux-0.011lux
Auto Gain Control	On/Off	On/Off	On/Off	On/Off	On/Off			On/Off/High/Low
Digital Noise Reduce				3D-DNR				None
S/N Ratio				>50dB				
Privacy Zone Masking	Auto/Manual, 8 masks per view				8 masks per view			/

Dome Parameters

Power Supply	AC24V±10%	Pattern Tour	4 groups, each one with 180s memory
Power	Indoor: 10W Outdoor: 25W	3D Location	Support
Manual Speed	0.05° ~ 600°	OSD Menu	Support
Preset Position Speed	600°/s	Guard Location	Guard linkage preset position, scan, cruising
Preset Accuracy	±0.1°	Protocol Self-Adaption	Support
Pan Rotation	360°	Control Method	RS-485
Title Rotation	-8° ~ 90°	Protocol	TIANDY、PELCO-P、PELCO-D
Preset Position	220	Baud Rate	2400/4800/9600BPS
Auto Scan	8 auto scan tracks,	Environment Temperature	Indoor: (0℃ ~ +50℃) Outdoor: (-35℃ ~ +55℃)
Autot Cruising	8 cruising tracks	Environment Humidity	0 ~ 95%